

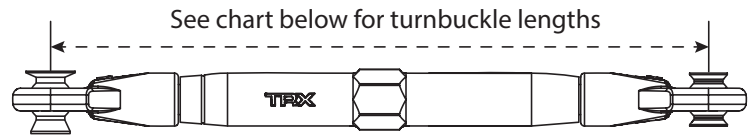
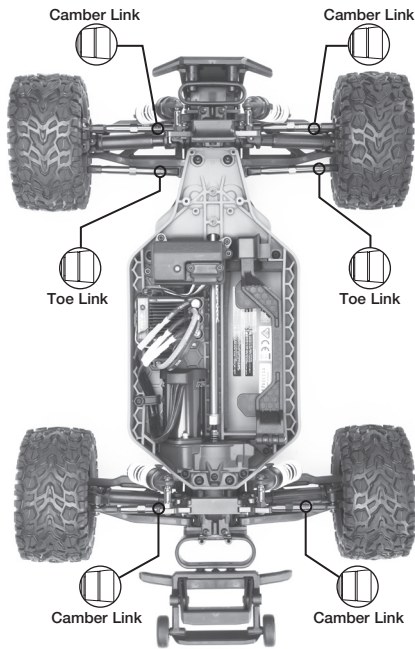


Visite la página TRAXXAS.com/manuals para descargar el instrucciones en su idioma.

Auf TRAXXAS.com/manuals können Sie Anleitung in Ihrer Sprache downloaden.

Turnbuckle Instructions

Covers Parts #3643G, 3643R, 3643X, 3644G, 3644R, 3644X, 6742G, 6742R, 6742X



ACTUAL SIZE

Note: When installing the new links, be sure to adjust the lengths to match the lengths of the links you are replacing.

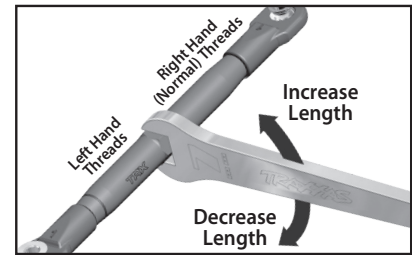
TURNBUCKLE LENGTHS

Model	Front Camber Link #3643G, 3643R, 3643X	Rear Camber Link #3644G, 3644R, 3644X	Toe Link #6742G, 6742R, 6742X
Slash 4X4	83.0mm	76.0mm	87.9mm
Slash 4X4 (Low-CG Chassis)	83.0mm	74.0mm	87.9mm
Stampede 4X4	83.0mm	76.0mm	87.9mm
Rustler 4X4	83.0mm	73.3mm	87.0mm



Left Hand Thread Indicators

All of the turnbuckles on the truck should be installed so the left hand thread indicators point to the same direction. This makes it easier to remember which way to turn the wrench to increase or decrease turnbuckle length (the direction is same at all four corners). Note that the groove in the turnbuckle indicates the side of the turnbuckle with the left-hand threads.



For replacement rod ends, use part #5347.
For replacement hollow balls, use part #5525 or #5529.

TRAXXAS.COM

Traxxas, 6250 Traxxas Way, McKinney, TX 75070, Phone: 972-549-3000, Fax: 972-549-3011, e-mail: support@Traxxas.com

KC2703-R01 Rev 200113