



Visite la página TRAXXAS.com/manuals para descargar el instrucciones en su idioma.

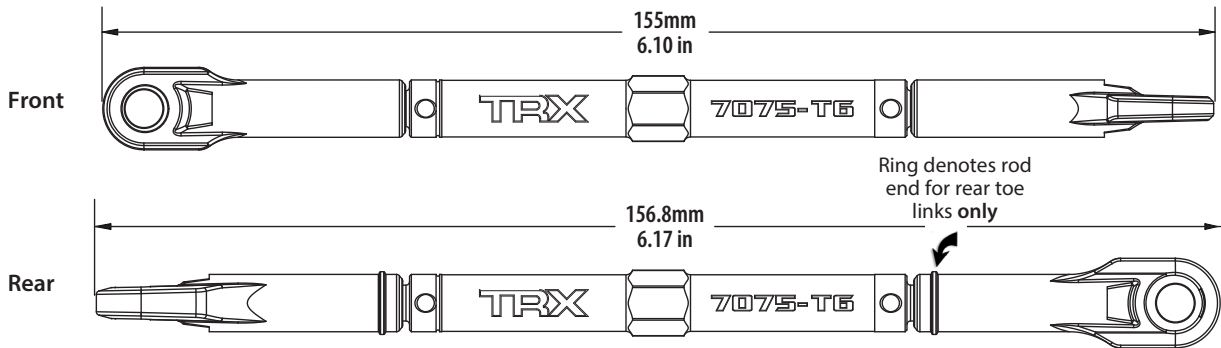
Auf TRAXXAS.com/manuals können Sie anleitung in Ihrer Sprache downloaden.

# TUBES™

Covers Parts #8638G, 8638R, 8638X

## Lightweight Aluminum Toe Links

**Note:** The toe links will need to be assembled with the rod end. Use this template to adjust the toe links to the correct length. Check vehicle alignment after installing the Tubes.



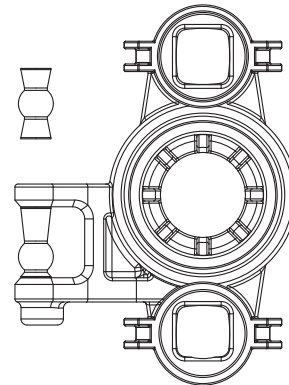
All of the toe links were originally installed on the truck so that the left hand thread indicators point in the same direction. This makes it easier to remember which way to turn the wrench to increase or decrease toe link length (the direction is the same at all four corners). Note that a groove indicates the side of the Tube with the left-hand threads.

Groove indicates left-hand threads



Front  
Tall Centered

Rear  
Tall Offset Ball  
with ball on  
bottom



### Replacement Parts

8646 Rod ends, heavy duty (toe links) (8)  
(assembled with hollow balls)