



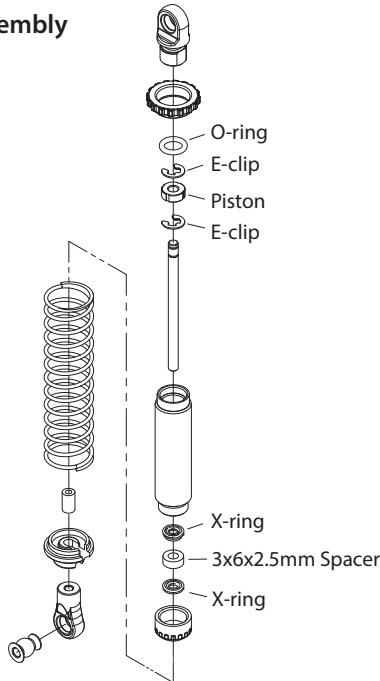
Visite la página TRAXXAS.com/manuals para descargar el instrucciones en su idioma.

Auf TRAXXAS.com/manuals können Sie anleitung in Ihrer Sprache downloaden.

GTS Shock Rebuild Instructions

Covers Parts #8160, 8160A, 8160X

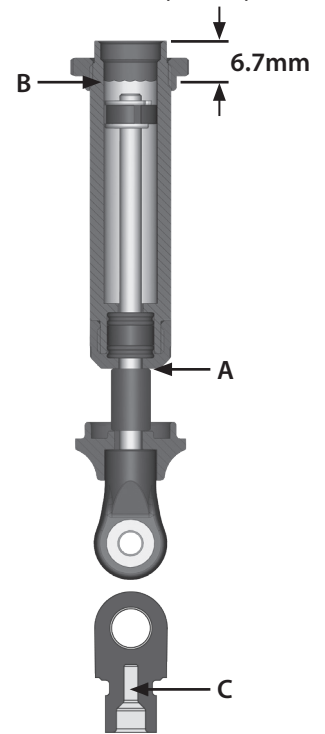
Shock Assembly



Replacing the shock oil

1. Compress the shock fully against the bump stop (A).
2. Fill the shock with new silicone shock oil to the top of the shaft; then, add 2-3 drops of oil to reach the proper level (0.3mm above the top of the shaft) (B).
3. Move the piston up and down slowly to remove excess air. Add oil if needed to maintain the proper level.
4. Ensure the cavity in the upper shock cap (C) is dry and free of oil; screw on the shock cap.

If you have questions or need technical assistance, call Traxxas at
1-888-TRAXXAS
(1-888-872-9927) (U.S. residents only)



TRAXXAS.COM

Traxxas, 6250 Traxxas Way, McKinney, TX 75070, Phone: 972-549-3000, Fax: 972-549-3011, e-mail: support@Traxxas.com

KC2631-R00 Rev 180416



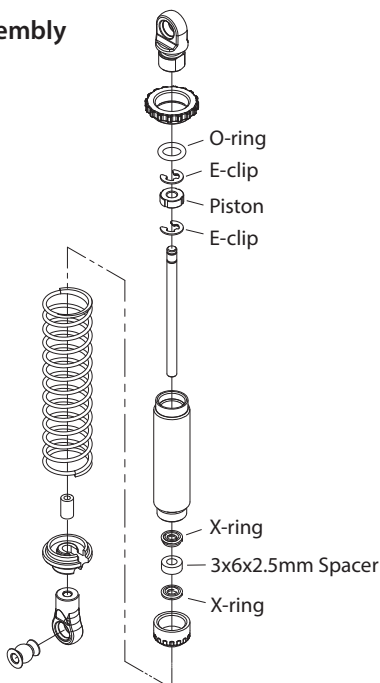
Visite la página TRAXXAS.com/manuals para descargar el instrucciones en su idioma.

Auf TRAXXAS.com/manuals können Sie anleitung in Ihrer Sprache downloaden.

GTS Shock Rebuild Instructions

Covers Parts #8160, 8160A, 8160X

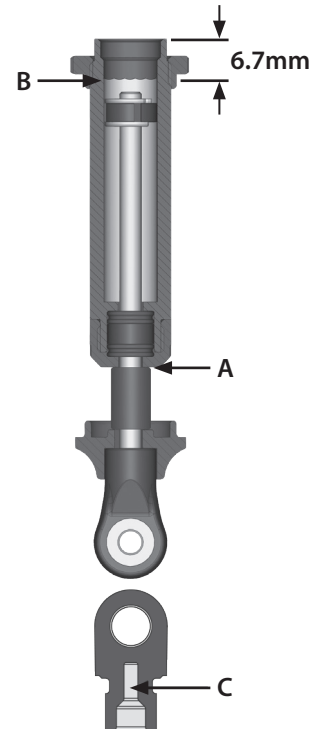
Shock Assembly



Replacing the shock oil

1. Compress the shock fully against the bump stop (A).
2. Fill the shock with new silicone shock oil to the top of the shaft; then, add 2-3 drops of oil to reach the proper level (0.3mm above the top of the shaft) (B).
3. Move the piston up and down slowly to remove excess air. Add oil if needed to maintain the proper level.
4. Ensure the cavity in the upper shock cap (C) is dry and free of oil; screw on the shock cap.

If you have questions or need technical assistance, call Traxxas at
1-888-TRAXXAS
(1-888-872-9927) (U.S. residents only)



TRAXXAS.COM

Traxxas, 6250 Traxxas Way, McKinney, TX 75070, Phone: 972-549-3000, Fax: 972-549-3011, e-mail: support@Traxxas.com

KC2631-R00 Rev 180416