



Aluminum Suspension Arm Mount Installation Instructions

Covers Part #8334X, 8334G, 8334R

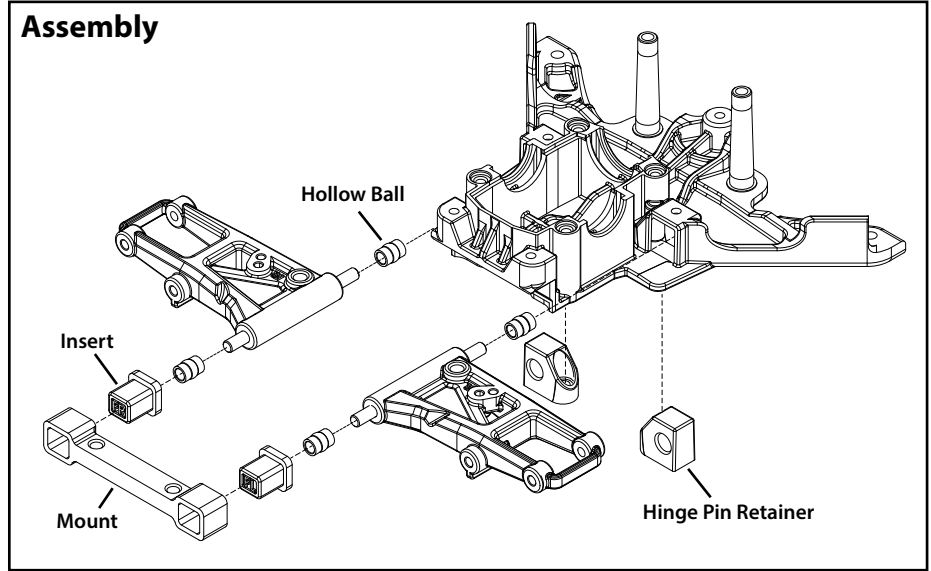
Kit contents:

- Front suspension arm mount (1)
- Rear suspension arm mount (1)
- Hinge pin retainer - 0 (4)
- Hinge pin retainer - 1 (4)
- Hinge pin retainer - 2 (4)
- Suspension arm mount insert - front right (FR) (1)
- Suspension arm mount insert - front left (FL) (1)
- Suspension arm mount insert - 2 dots (2)
- Suspension arm mount insert - 1 dot (2)
- Hinge pin hollow ball (8)

Tool required:

- 1.5mm hex wrench
- 2.0mm hex wrench

Assembly



Front Suspension Arm Mounts					
Hinge Pin Retainer Marking	Suspension Arm Mount Insert Marking	Suspension Arm Mount Insert Orientation		Toe	Anti-Squat
Stock	Stock			0°	0°
0	FR	Right Side (Passenger)		0°	0°
	FL	Left Side (Driver)		0°	0°
1	FR	Right Side (Passenger)		0°	1°
	FL	Left Side (Driver)		0°	1°
2	FR	Right Side (Passenger)		0°	2°
	FL	Left Side (Driver)		0°	2°

Rear Suspension Arm Mounts					
Hinge Pin Retainer Marking	Suspension Arm Mount Insert Marking	Suspension Arm Mount Insert Orientation		Toe	Anti-Squat
Stock	Stock			1°	0°
0	2 dots	Dots to inside of vehicle on left and right sides		0°	0°
	2 dots	Dots to outside of vehicle on left and right sides		2°	0°
	1 dot			1°	0°
1	2 dots	Dots to inside of vehicle on left and right sides		0°	1°
	2 dots	Dots to outside of vehicle on left and right sides		2°	1°
	1 dot			1°	1°
2	2 dots	Dots to inside of vehicle on left and right sides		0°	2°
	2 dots	Dots to outside of vehicle on left and right sides		2°	2°
	1 dot			1°	2°