



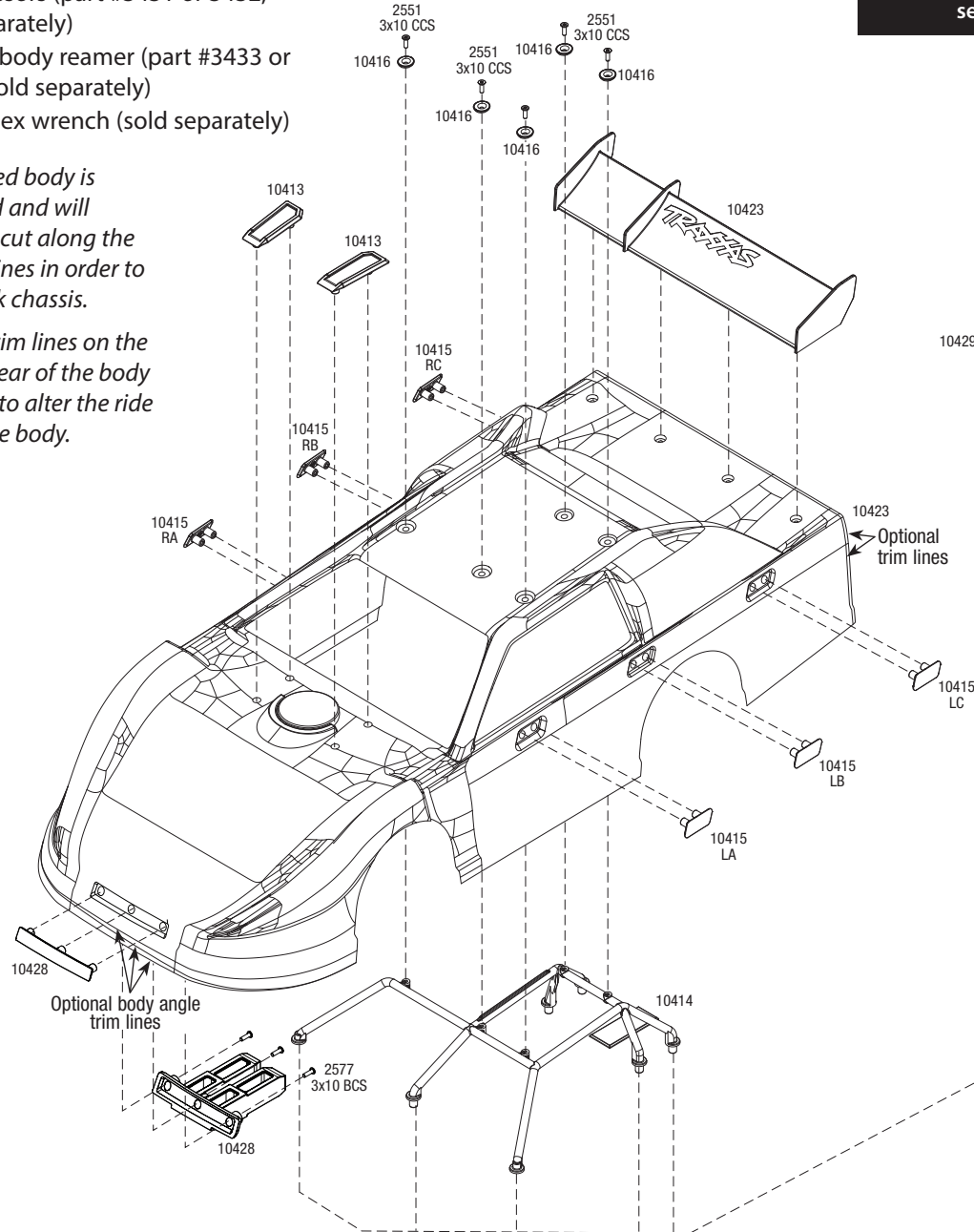
## Slash Modified Late Model Body Assembly Instructions

### Tools required:

- Body scissors (part #3431 or 3432, sold separately)
- Tapered body reamer (part #3433 or 3433X, sold separately)
- 2.0mm hex wrench (sold separately)

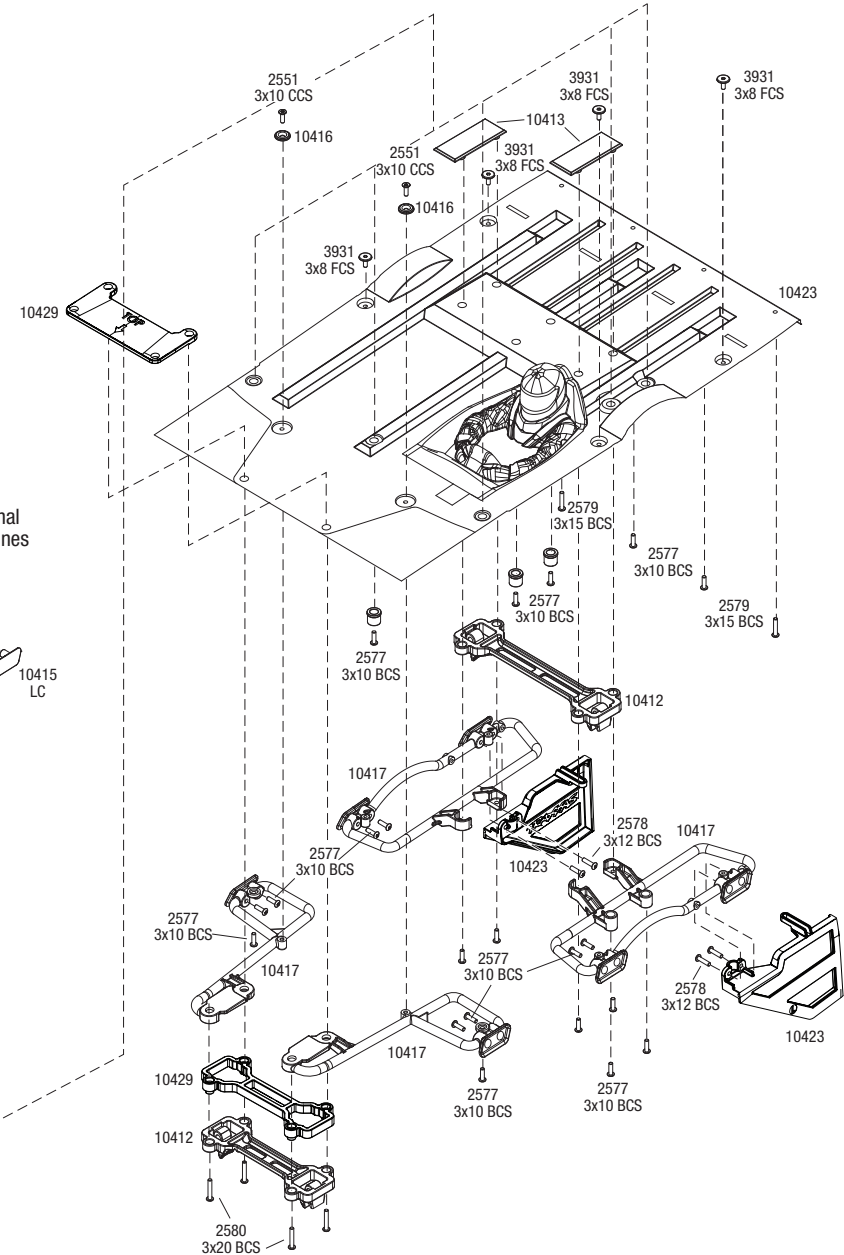
The included body is untrimmed and will need to be cut along the indicated lines in order to fit the stock chassis.

Optional trim lines on the front and rear of the body can be cut to alter the ride angle of the body.



### CAUTION: RISK OF INJURY!

Use care with hobby knives, tapered reamers, and other cutting tools as they are extremely sharp and can cause severe injury, deep cuts, and/or punctures.



Covers Part #10423