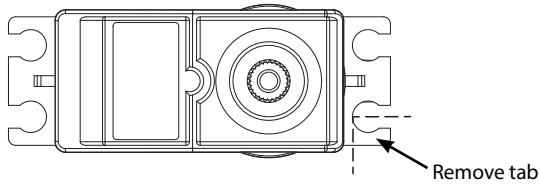




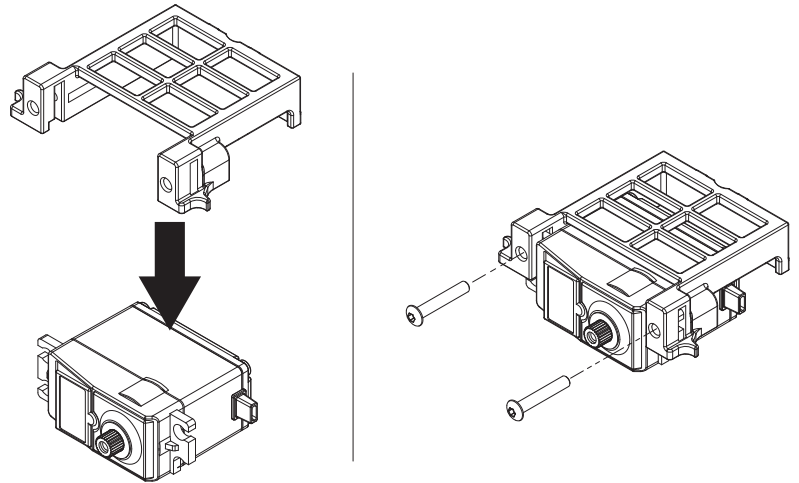
Servo Adapter Installation Instructions

Covers Part #7749

1. Remove the mounting tab from the servo as shown. This will allow the servo to fit into the X-Maxx chassis once it is secured to the servo adapter.



2. Place the servo adapter over the servo and secure with the two included screws.



If you have questions or need technical assistance, call Traxxas at

1-888-TRAXXAS

(1-888-872-9927) (U.S. residents only)

TRAXXAS.COM

Traxxas, 6250 Traxxas Way, McKinney, TX 75070, Phone: 972-549-3000, Fax: 972-549-3011, e-mail: support@Traxxas.com

KC2358-R00 Rev 151216