



Stampede, Rustler, Bandit Wheelie Bar Instructions

Covers Parts #3677, #3678



Part #3678



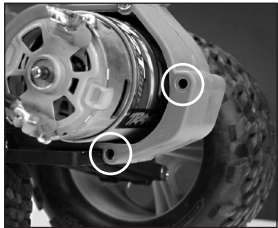
Part #3677

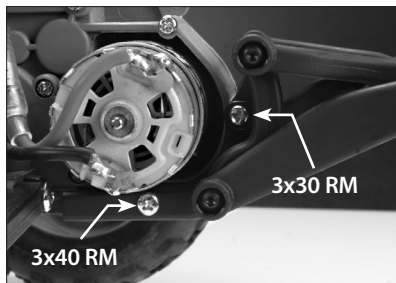
Tools needed:

- #1 Phillips screwdriver
- 7mm nut driver

Note: When the wheelie bar is not necessary, the wheelie bar mount can be used alone for extra protection of the motor and transmission case.

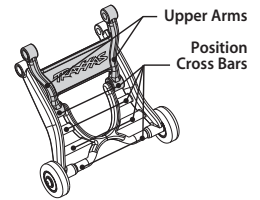
Installation:

1. Remove the 3x23mm and the 3x30mm roundhead machine screws from the transmission. These will not be reused. **Tip:** Removing the left rear wheel will provide easier access to the lower transmission screw. 
2. Slide the wheelie bar mount onto the chassis plate just beneath the transmission. Line up the holes in the mount and transmission case. Secure the mount to the transmission case with the included hardware. Use the images below and exploded diagram as a reference. **Note:** For vehicles equipped with the Pro Series Magnum 272R™ transmission, use the mount that is already installed along with the other wheelie bar parts included in this kit.

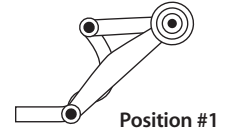


Wheelie bar set-up tips and instructions:

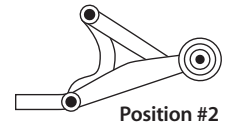
Changing the position of the wheelie bar height setting is easiest when installed on the vehicle. To set the position, unsnap the upper arms from the cross bars of the lower arms. Move the upper arms to the desired location, and then snap the arms together.



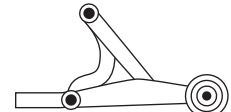
Pos. #1: The lowest position on the crossbars. Allows the vehicle to tip back the most for longer wheelies.



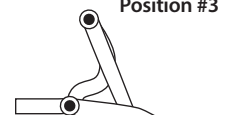
Pos. #2: The second lowest position on the crossbars.



Pos. #3: The second highest position on the crossbars.

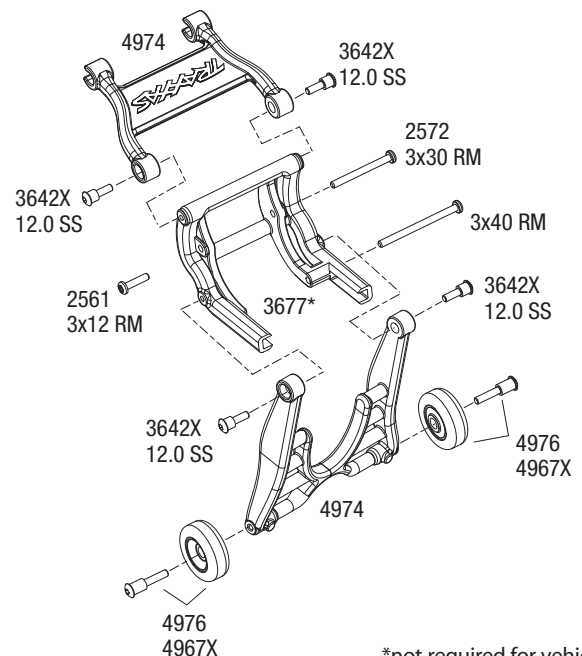


Pos. #4: The highest position on the crossbars. Provides the flattest launches, reducing the chance of a wheelie.



Note: Each setting can offer different results based on the individual ride height and droop settings of a particular vehicle. Try to avoid riding on the wheelie bar wheels during normal driving (this can happen in the lowest setting with lower than stock ride heights).

3678 Exploded Diagram



If you have questions or need technical assistance, call Traxxas at

1-888-TRAXXAS

(1-888-872-9927) (U.S. residents only)

*not required for vehicles equipped with Pro Series Magnum 272R™ transmission