



## Steering Bellcrank Instructions

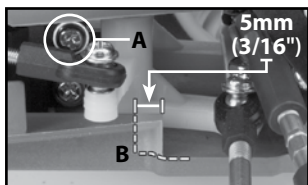
Covers Part #6845X

This kit contains the complete steering bellcrank assembly for the Slash series vehicles (4X4, Platinum Edition, Ultimate) and the Rally. The Slash 4X4's steering bellcranks may also be installed on the Traxxas Rustler, Bandit, and two-wheel drive Slash models. Note that the bellcranks are assembled in different configurations depending on the model into which they are being installed. Use the exploded views below to properly assemble the bellcranks for installation in your model. Fully assemble the bellcrank before installing it in the model.

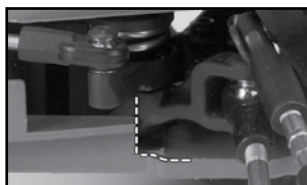
**Tip:** Install the spring retaining ring first. Press the ring down and hold with one hand and then install the bushing to retain it.

### Chassis Modification for Rustler and Bandit Installation

The Rustler and Bandit chassis must be trimmed slightly to allow full steering motion with the Slash 4X4 bellcranks. Trim the sidewalls of the chassis as shown below (B). Trim both sides of the chassis. **Wear eye protection when cutting the chassis.** The top front servo mount screw (circled below, A) must also be removed to provide clearance for the servo saver.



A. Remove screw and discard  
B. Trim where indicated

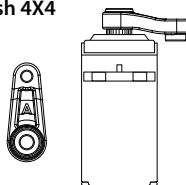


Chassis after modification

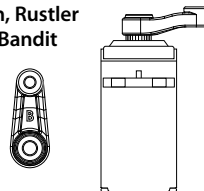
### Select the Correct Servo Horn For Your Model

The Slash 4X4 steering bellcranks have an integrated servo-saver, eliminating the need for the Slash, Rustler or Bandit's stock, servo-mounted servo saver. Rigid servo horns are provided to complete the installation—horn A is for Slash 4X4; horn B is for 2WD Slash, Rustler, and Bandit; and horn C is for the Rally and Low-CG Slash 4X4. See illustration below.

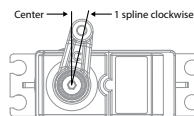
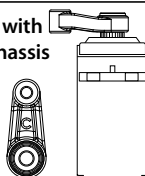
#### Slash 4X4



#### Slash, Rustler and Bandit



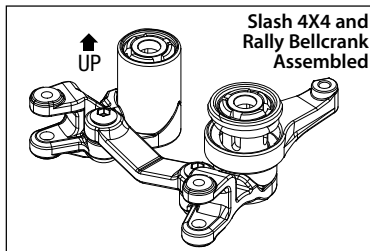
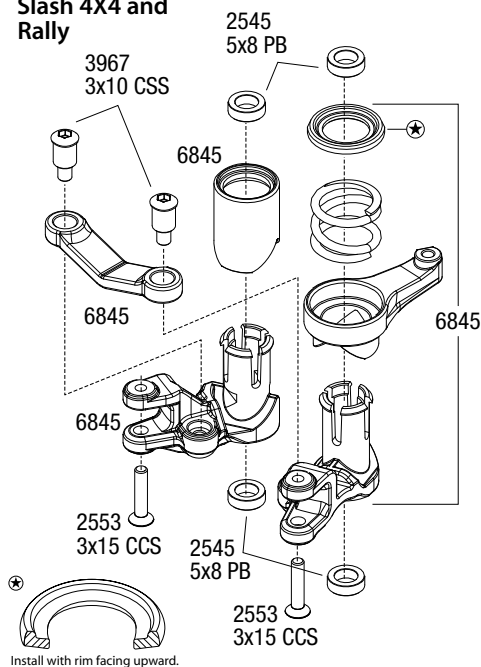
#### Slash 4X4 with Low-CG chassis and Rally



Slash 4X4 with Low-CG Chassis and Rally Servo Horn Alignment

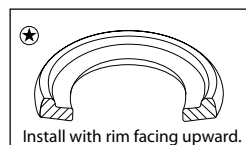
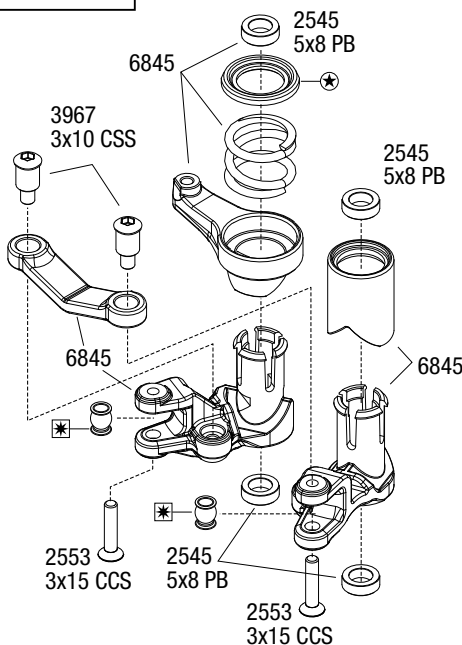
**Note:** The servo horns are 25-spline for direct fit on Traxxas and Futaba servos. These horns will not fit 23- or 24-spline servos from other brands. Consult your local hobby store for help selecting compatible servo horns if necessary.

### Slash 4X4 and Rally



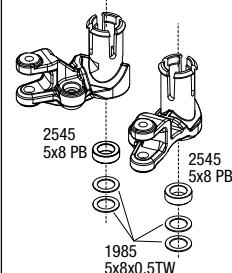
Slash 4X4 and Rally Bellcrank Assembled

### Slash, Rustler and Bandit

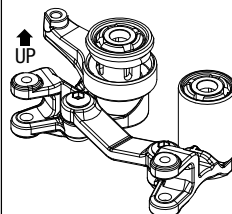


Install with rim facing upward.

#### Slash Only: Reuse stock bellcrank washers



#### Slash, Rustler and Bandit Bellcrank Assembled



**Slash, Rustler and Bandit:** Remove the stock hollow balls in the rod end that are attached to the bellcrank. Replace the stock hollow balls with the hollow balls included in this kit. Discard the stock hollow balls.

If you have questions or need technical assistance, call Traxxas at

# 1-888-TRAXXAS

(1-888-872-9927) (U.S. residents only)