



LED Underbody Light Kit Installation Instructions

Covers Parts #10799-BLUE, 10799-GRN, 10799-RED, 10799-WHT

Kit contents:

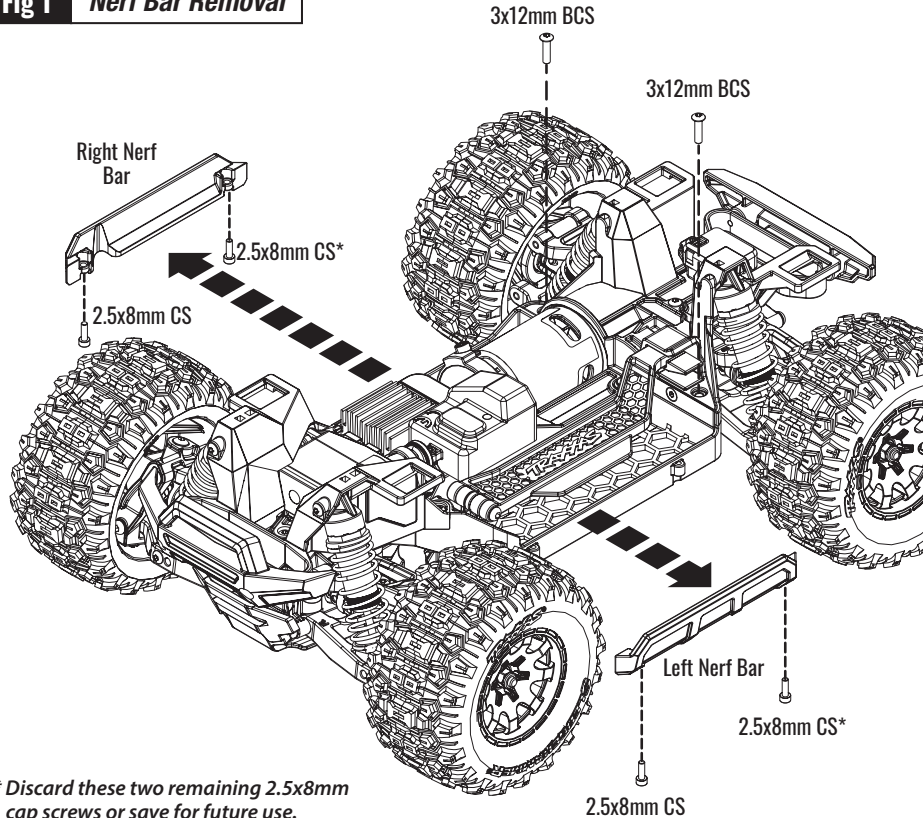
- LED underbody light assemblies (left & right)

Tools required:

- 2.0mm hex wrench

Note: Prior installation of the #6588X 3-volt accessory power supply or the #10795 LED Light Kit is required to supply power to the underbody lights (each sold separately).

Fig 1 Nerf Bar Removal



* Discard these two remaining 2.5x8mm cap screws or save for future use.

Fig 2 LED Assembly Installation

