



Kit Contents:

- LED underbody light harness assembly
- LED light mounts (4)
- LED power harness
- 2.5x10mm cap screws (CS) (8)
- 3x10mm flat-head cap screws (FCS) (2)
- Y-Harness Splitter
- Zip tie mounts (4)
- Zip ties (10)

Tools needed:

- 2.5mm hex wrench
- 2.0mm hex wrench

Requires:

- 10998-COLOR or 6588X

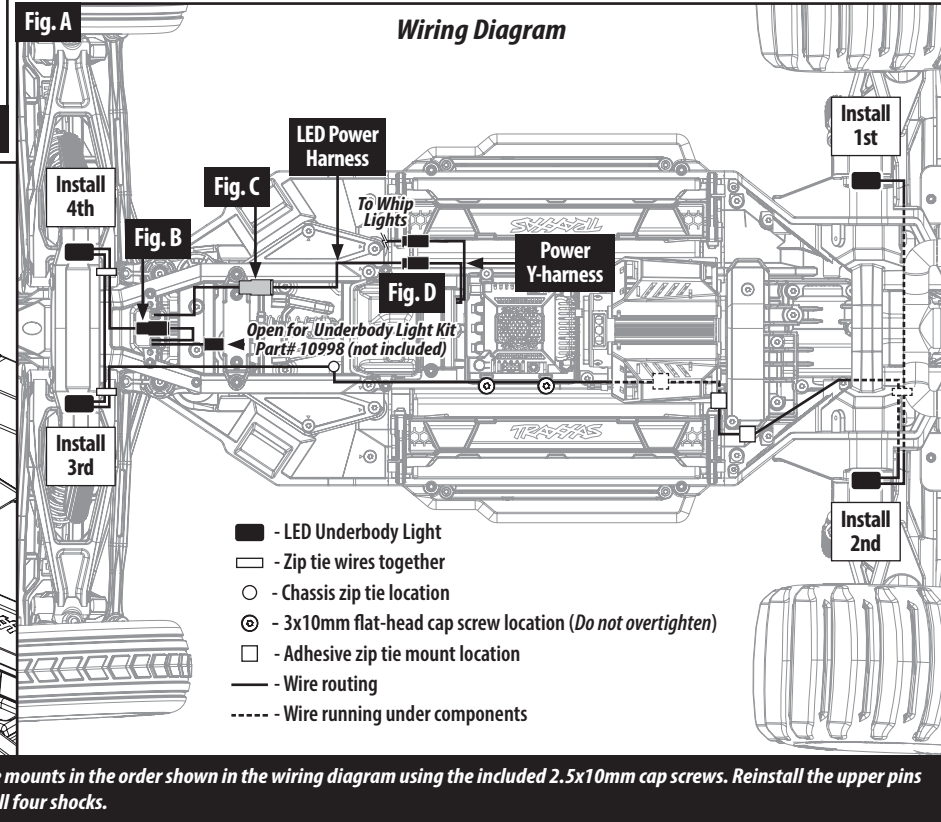
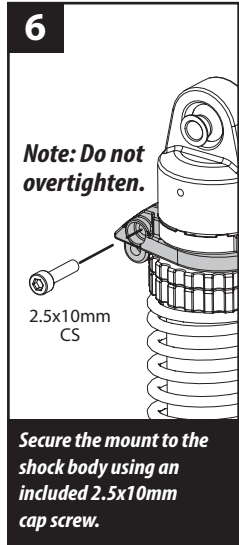
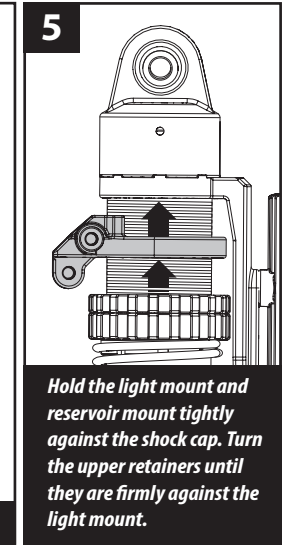
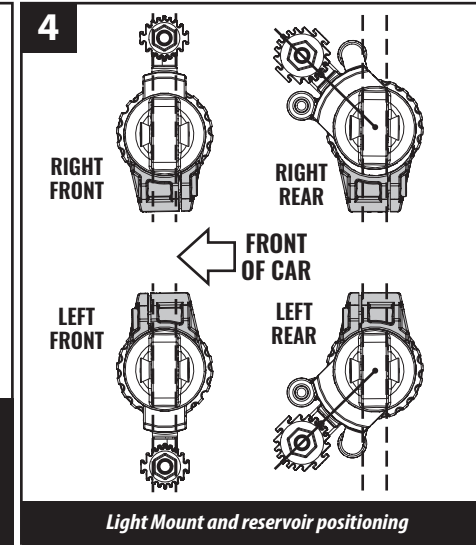
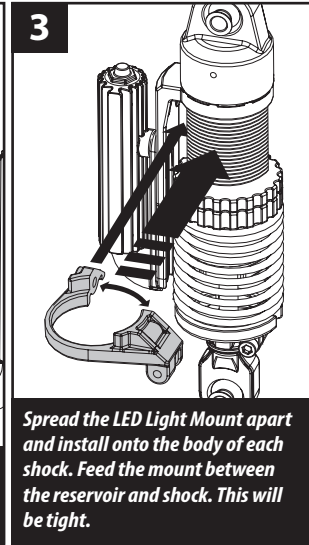
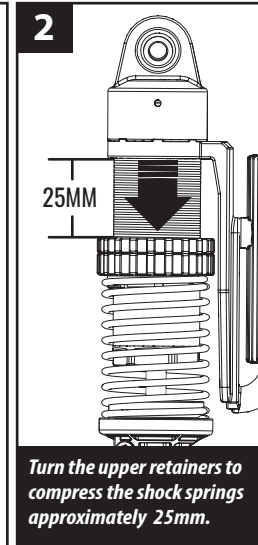
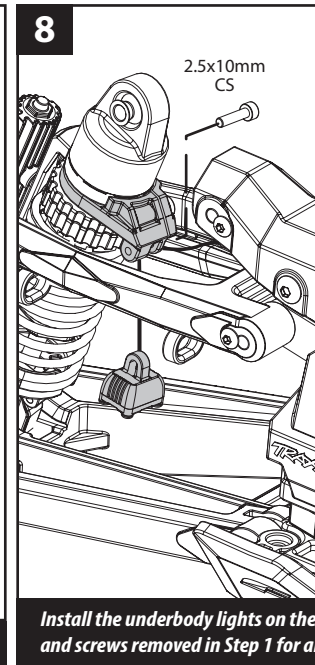
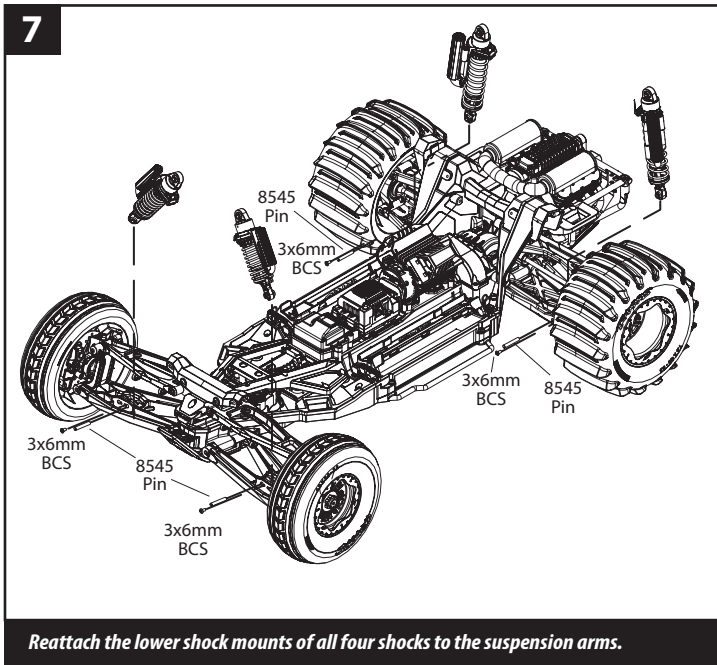
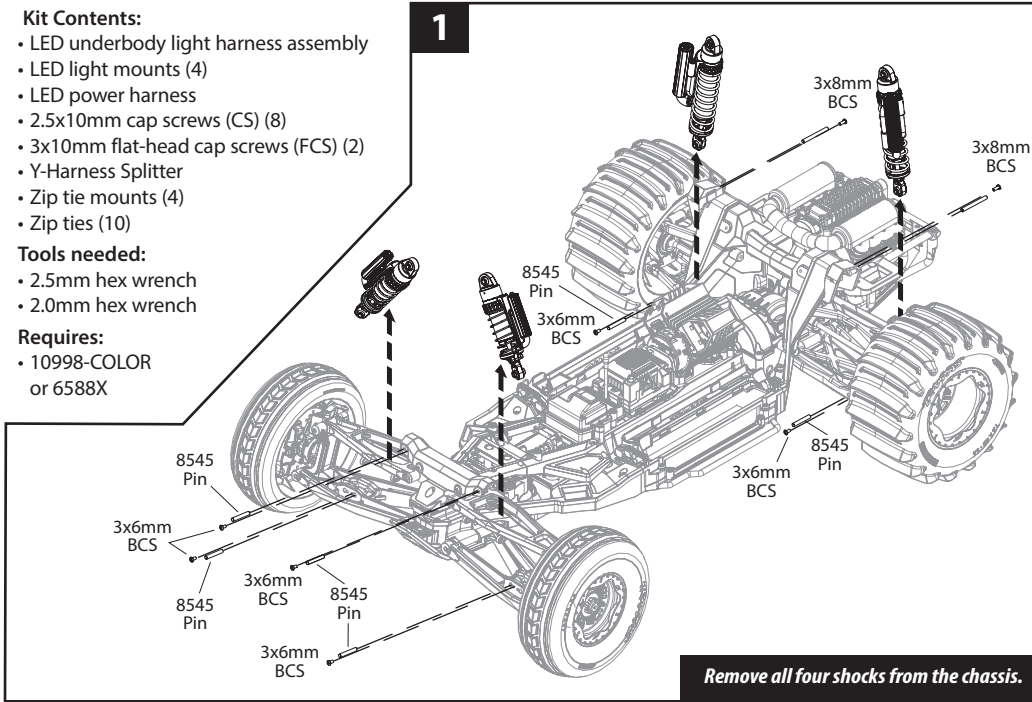


Fig. A : Route the wires from the Shock-Mounted Underbody Lights to the Accessory Power Supply (Part #6588X not included). Use the included zip ties, zip tie mounts and 3x10mm flat-head cap screws to secure the harnesses to the chassis in the locations shown. Note: Ensure the wire harnesses are kept away from any moving parts and heated surfaces.

Fig. B : Plug the male connectors from the Accessory Power Supply into the female connector from the Shock-Mounted Underbody Lights.

Fig. C : Plug the red male connector from the included LED Power Harness into the red female connector from the Accessory Power Supply.

Fig. D : Plug the other end of the LED Power Harness the included Power Y-harness.

Fig. E : Remove the connector from the CH1 port of the receiver (refer to the online Owner's Manual for instructions on accessing the receiver).

Fig. F : Plug the Power Y-Harness into the CH1 port of the receiver. Do not use the RPM port. Plug the previously removed connector from the CH1 port of the receiver into the Power Y-harness.

The accessory power supply and LED underbody lights will turn on when the electronic speed control is turned on. Always disconnect the battery when not in use.

