



LED Light Kit Installation Instructions

Covers Part #10795, 10796, 10797, 10798

Kit contents:

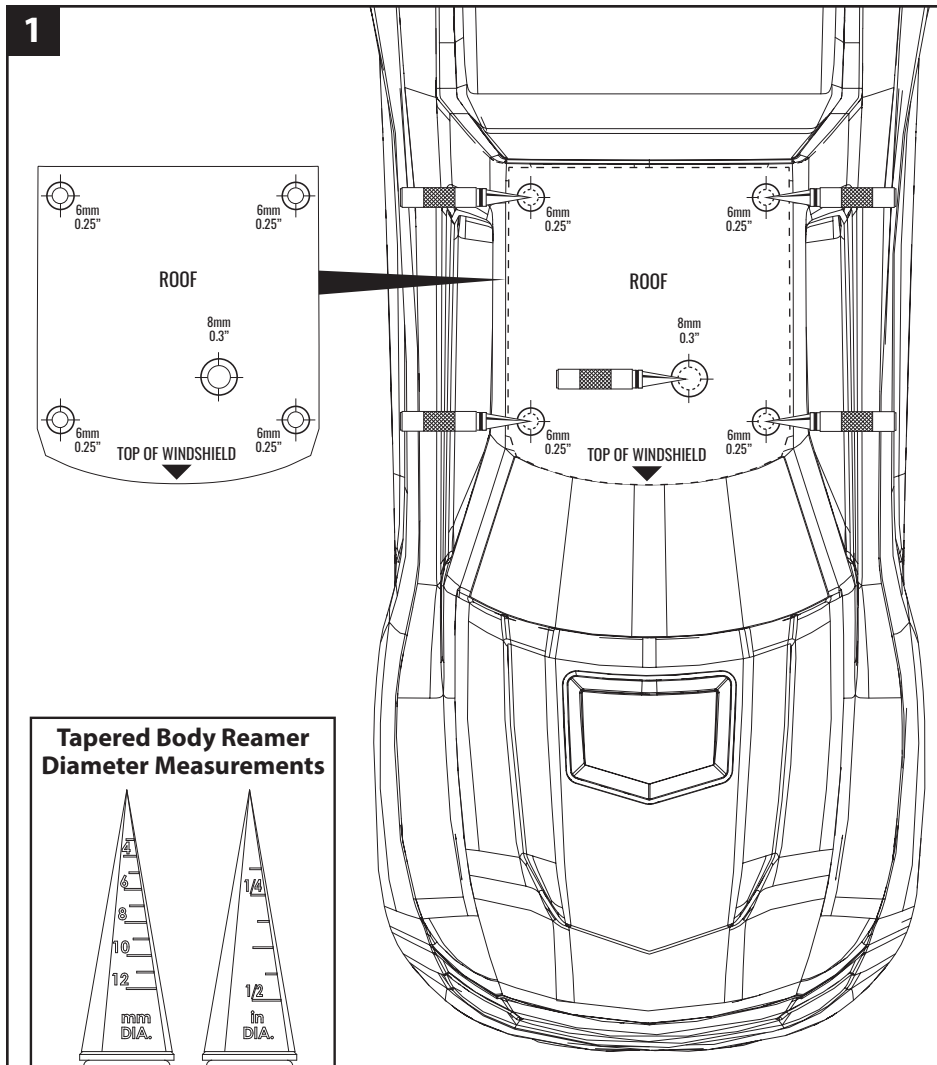
- 3-volt accessory power supply
- Electronic speed control (ESC) power tap
- 3x10mm button-head cap screws (2)
- 3x8mm button-head cap screws (4)
- Roof skid plate with LED light bars and mount
- Front bumper with LED light bar
- Rear bumper with LED light bar
- Body template
- Zip ties (3)

Tools needed:

- 2.0mm hex wrench
- Tapered body reamer (part #3433 or #3433X, sold separately)

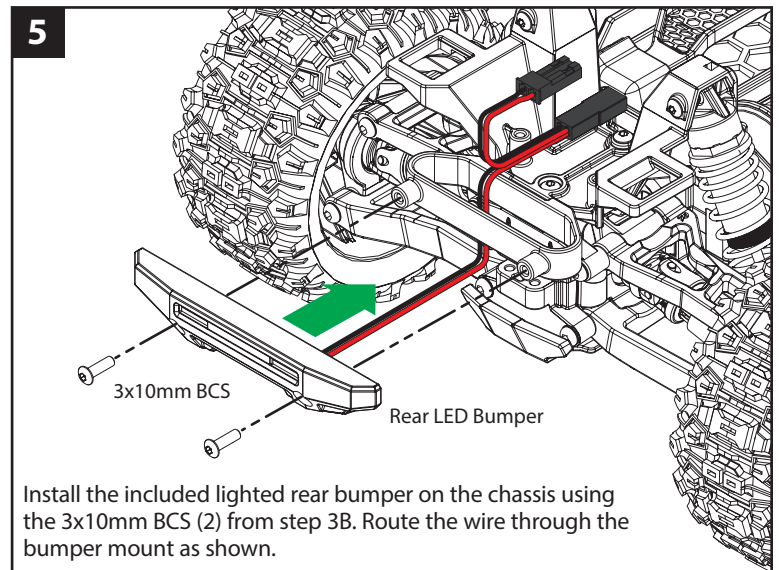
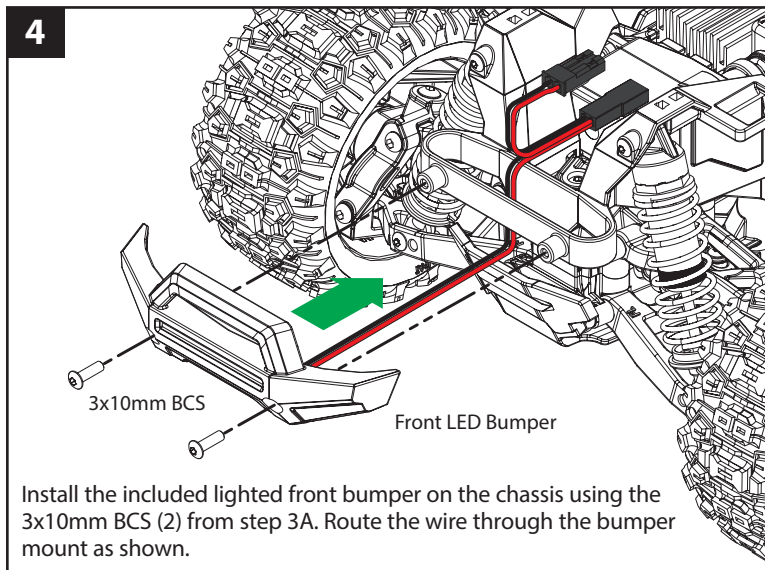
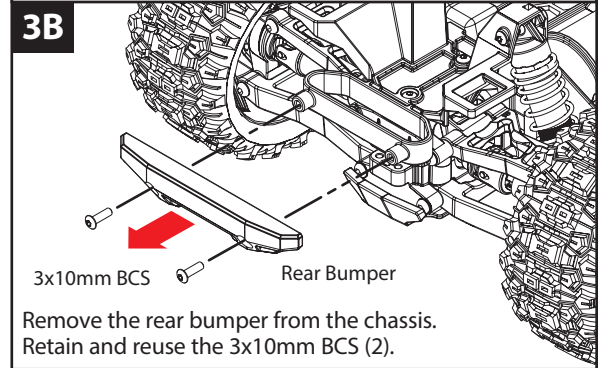
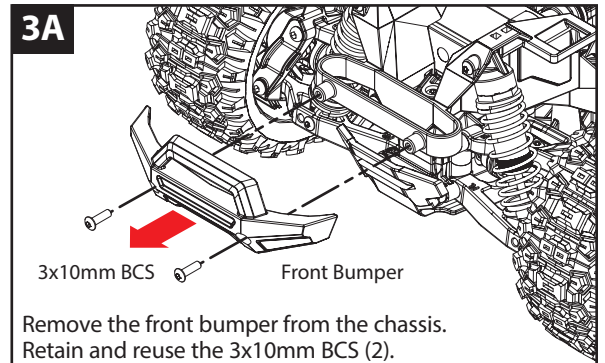
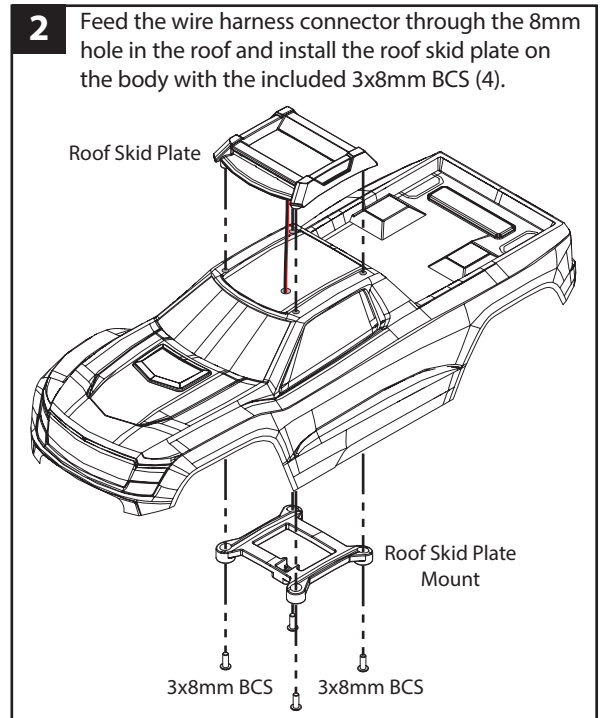
CAUTION: RISK OF INJURY!
 Use care with hobby knives, tapered reamers, and other cutting tools as they are extremely sharp and can cause severe injury, deep cuts, and/or punctures.

CAUTION: RISK OF DAMAGE TO BATTERIES!
 Do not attach the power tap to the battery connector. Attach to the electronic speed control (ESC) connector only. Always disconnect the battery from the ESC when not in use to prevent the possibility of over-discharge.

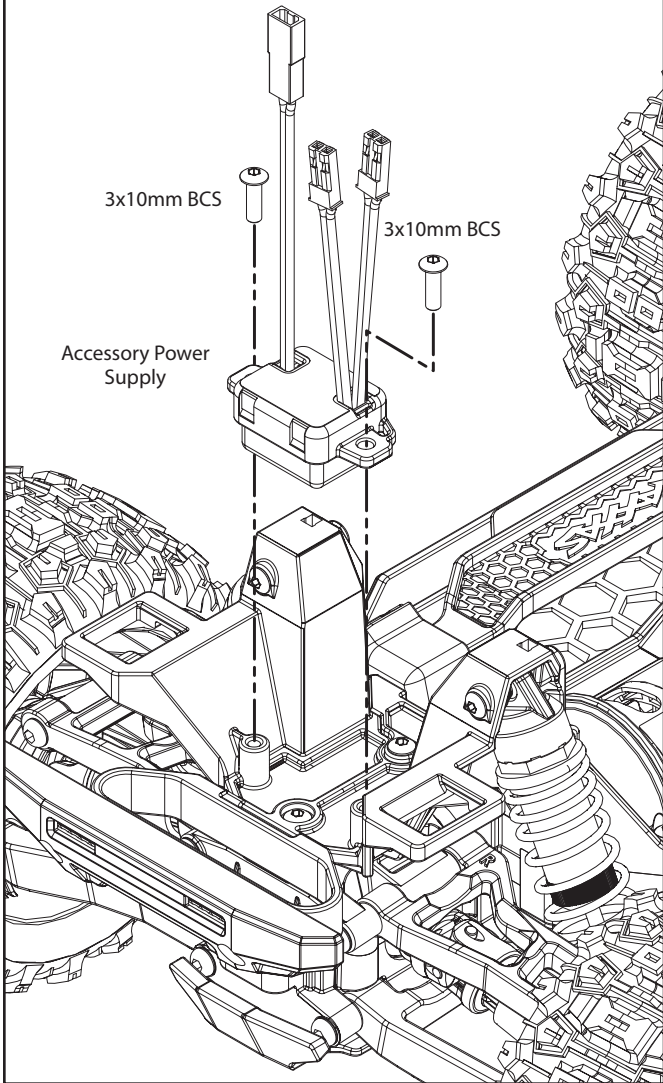


Body modification:

Before installation of the new roof skid plate, the vehicle body will need modification. Peel the backing from the included self-adhesive cutting template. Install the template on the roof of the body, aligning the front edge of the template with the top of the windshield as shown. Using a tapered body reamer, carefully cut four 6mm holes for the wiring bosses on the skid plate and one 8mm hole for the wiring harness (note the hole diameters indicated on the template and the corresponding diameter measurements on the body reamer).



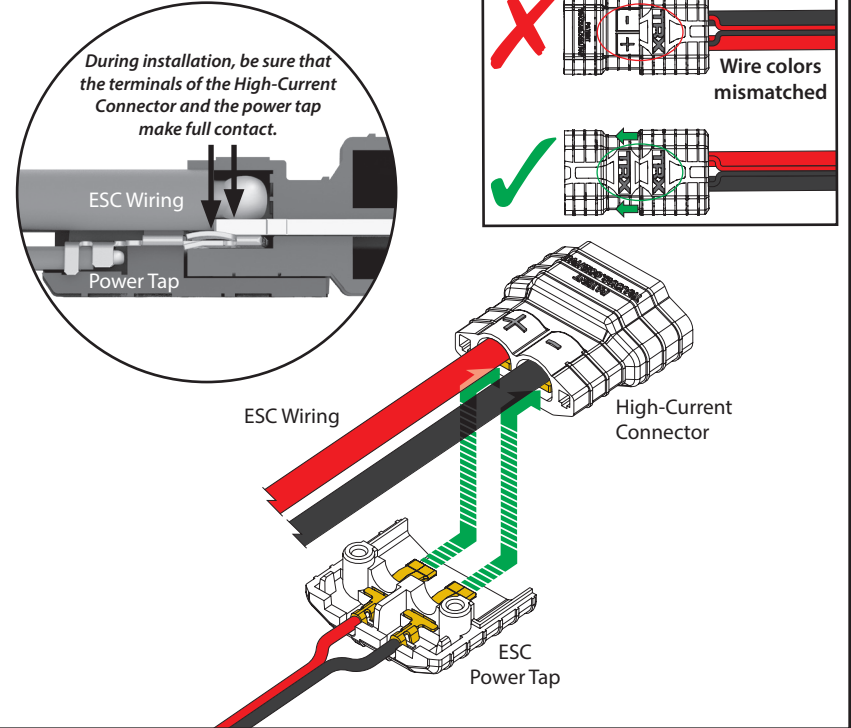
6 Install the accessory power supply on the chassis.



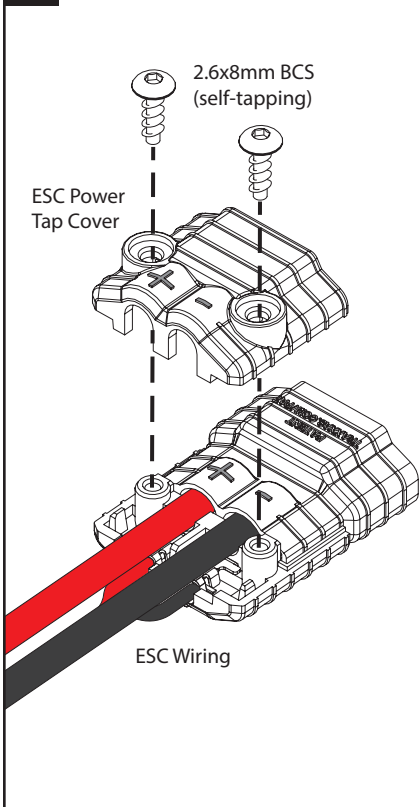
Important Note! Use the included power tap as the direct battery source for the accessory power supply. Do not connect to the accessory BEC power output on the ESC (if equipped). Connecting high-load accessories to the power supply while it is plugged directly into the ESC could overload the speed control's BEC circuit. This may cause the speed control to go into thermal protection mode or could cause damage to the speed control.

CAUTION: RISK OF DAMAGE TO ACCESSORIES! Note the polarity and wire color on the pre-installed wires on the power tap. Ensure the polarity is correct during installation on the High-Current Connector: red (+) (positive), black (-) (negative).

7 Attach the power tap to the High-Current Connector of the electronic speed control (ESC).



8 Install the cover on the power tap.

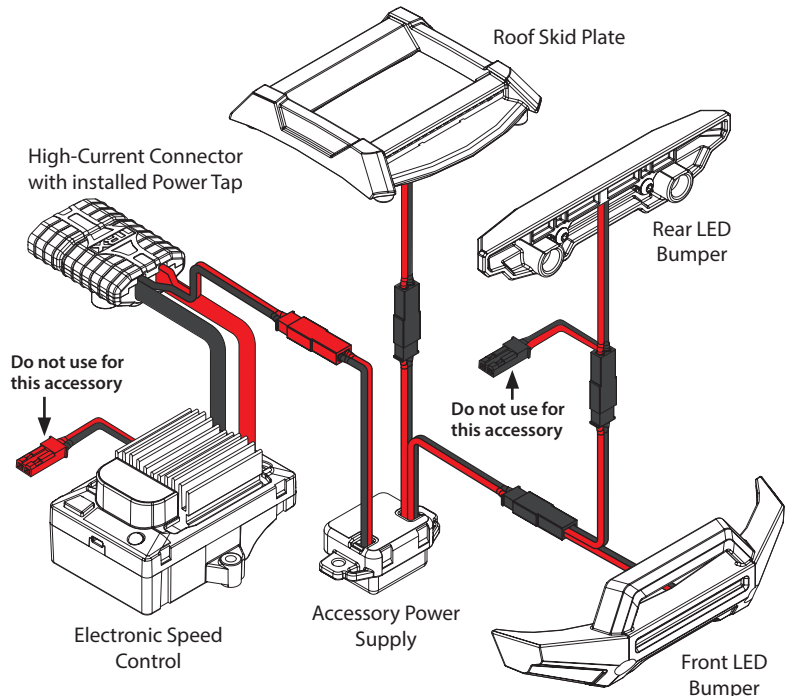


9 Wiring Diagram

Route the wire harness from the front bumper to the accessory power supply. Use the included zip ties (3) to secure the harness. **Note: Ensure the wire harness is kept away from any moving parts and heated surfaces.**

Plug the black male connectors from the accessory power supply into the black female connectors from the front bumper and roof skid plate wire harnesses. Plug the extra black male connector from the front bumper into the black female connector from the rear bumper wire harness.

Plug the red male connector from the power tap into the red female connector from the accessory power supply. **The accessory power supply and LED lights will turn on when a battery is connected. Always disconnect the battery when not in use.**



Limited Warranty Information

Traxxas electronic components are warranted to be free from defects in materials and workmanship for a period of 30 days from the date of purchase.

Limitations: Any and all warranty coverage does not cover replacement of parts and components damaged by abuse, neglect, improper or unreasonable use, crash damage, water or excessive moisture, chemical damage, improper or infrequent maintenance, accident, unauthorized alteration or modification or items that are considered consumable. Traxxas will not pay for the cost of shipping or transportation of a defective component to us.

Traxxas Lifetime Electronics Limited Warranty

After the expiration date of the warranty period, Traxxas will repair electronic components for a flat rate. Please visit Traxxas.com/support for a current schedule of warranty costs and fees. The covered repairs are limited to non-mechanical components that have NOT been subjected to abuse, misuse, or neglect. Products damaged by intentional abuse, misuse, or neglect may be subject to additional charges. Traxxas liability, in no case, shall be greater than the actual purchase price of this product. For replacement, product must be returned in brand new condition, with packaging and itemized sales receipt.

If you have questions or need technical assistance, call Traxxas at
1-888-TRAXXAS
 (1-888-872-9927) (U.S. residents only)



This device complies with FCC Part 15 & IC RSS-210 rules subject to the following conditions: 1) This device may not cause harmful interference, and 2) This device must accept all interference received, including interference that may cause undesired operation.