



LED Rock Light Kit Installation Instructions

Covers Part #8897

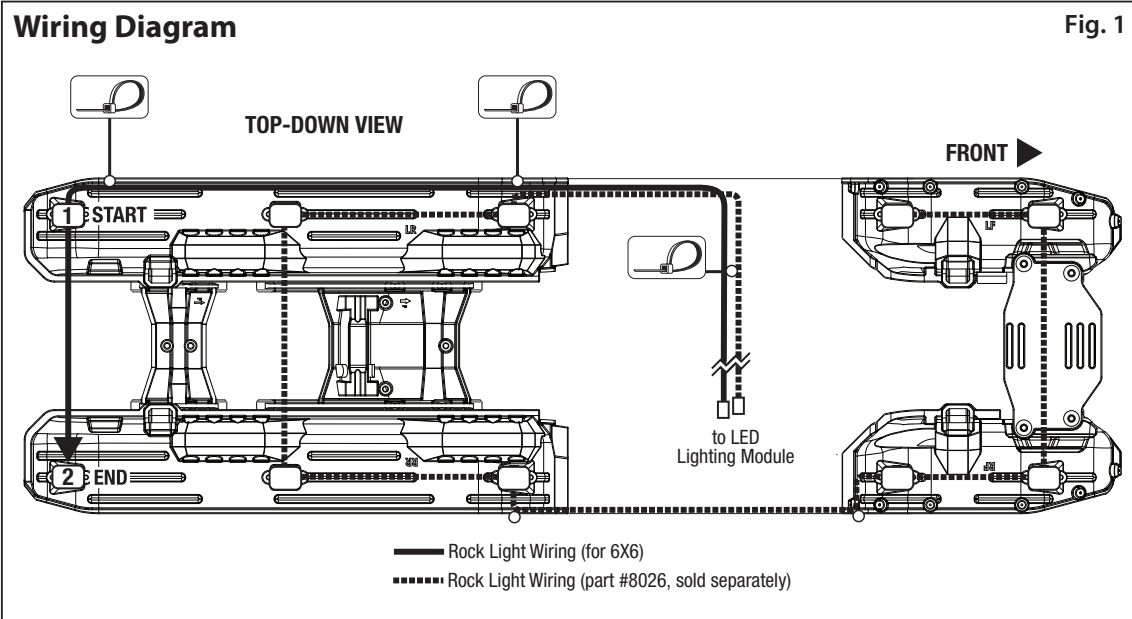
Note: LED rock light kit (part #8026X, sold separately) is required for a complete set of rock lights. Installation of the LED lighting module (part #8028, also sold separately) is required to provide power to the LED lights.

Kit Contents:

- LED rock light harness assembly
- Zip ties (3)

Installation:

1. Install the LED light kit; refer to the Wiring Diagram (Fig. 1). The rock lights install as an assembly using the same hardware as the original assembly. Do not overtighten the screws that fasten the rock lights to the inner fenders. Hand tighten these screws.
2. Use zip ties to secure the wiring to the body in the locations provided.
3. Plug the LED harness connector into the LED lighting module.



TRAXXAS.COM

Traxxas, 6250 Traxxas Way, McKinney, TX 75070, Phone: 972-549-3000, Fax: 972-549-3011, e-mail: support@Traxxas.com

HKC19035-R02 Rev 191015



LED Rock Light Kit Installation Instructions

Covers Part #8897

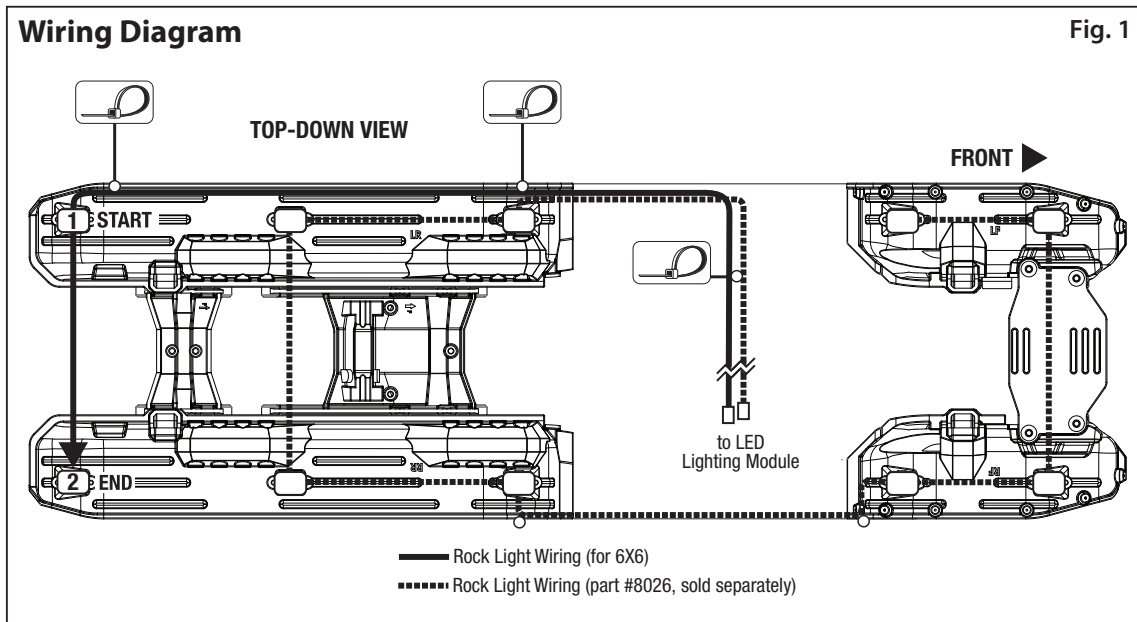
Note: LED rock light kit (part #8026X, sold separately) is required for a complete set of rock lights. Installation of the LED lighting module (part #8028, also sold separately) is required to provide power to the LED lights.

Kit Contents:

- LED rock light harness assembly
- Zip ties (3)

Installation:

1. Install the LED light kit; refer to the Wiring Diagram (Fig. 1). The rock lights install as an assembly using the same hardware as the original assembly. Do not overtighten the screws that fasten the rock lights to the inner fenders. Hand tighten these screws.
2. Use zip ties to secure the wiring to the body in the locations provided.
3. Plug the LED harness connector into the LED lighting module.



TRAXXAS.COM

Traxxas, 6250 Traxxas Way, McKinney, TX 75070, Phone: 972-549-3000, Fax: 972-549-3011, e-mail: support@Traxxas.com

HKC19035-R02 Rev 191015