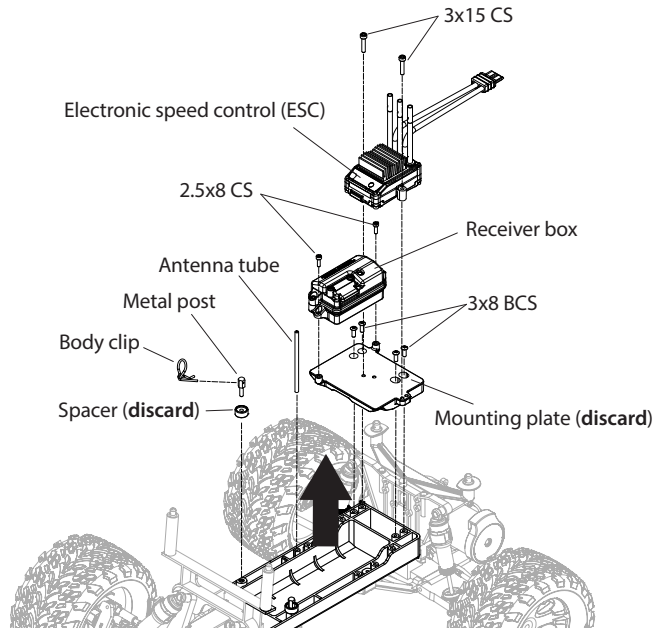




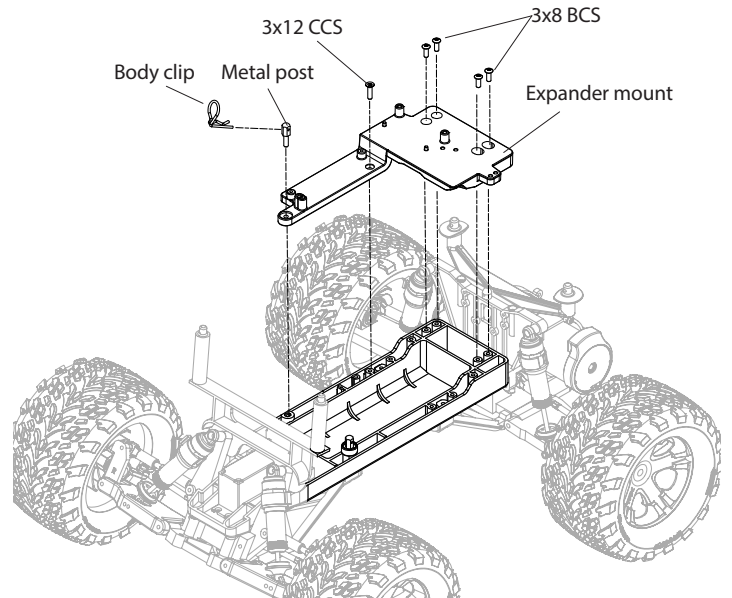
Expander Mount Installation Instructions (Stampede 2WD) (fits chassis #3622, 3622A, 3622R, 3622X)

Covers Part #6557X

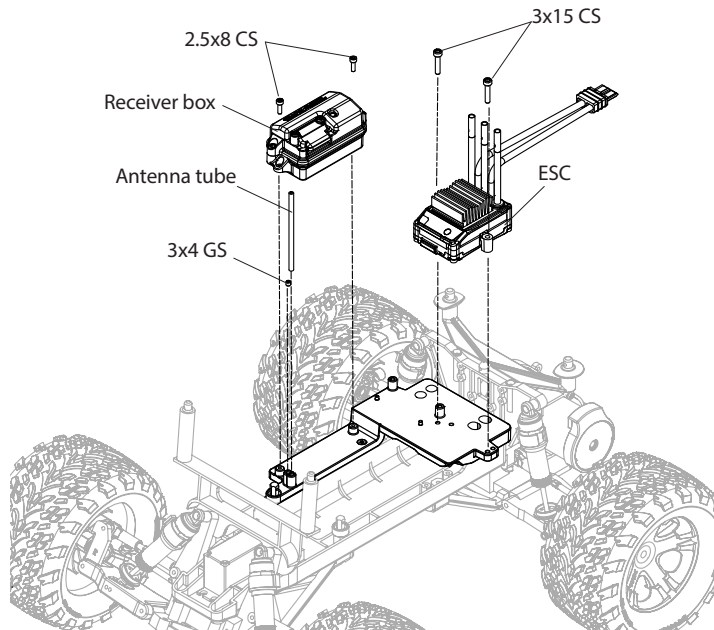
A Remove the receiver box and electronic speed control (ESC) components.



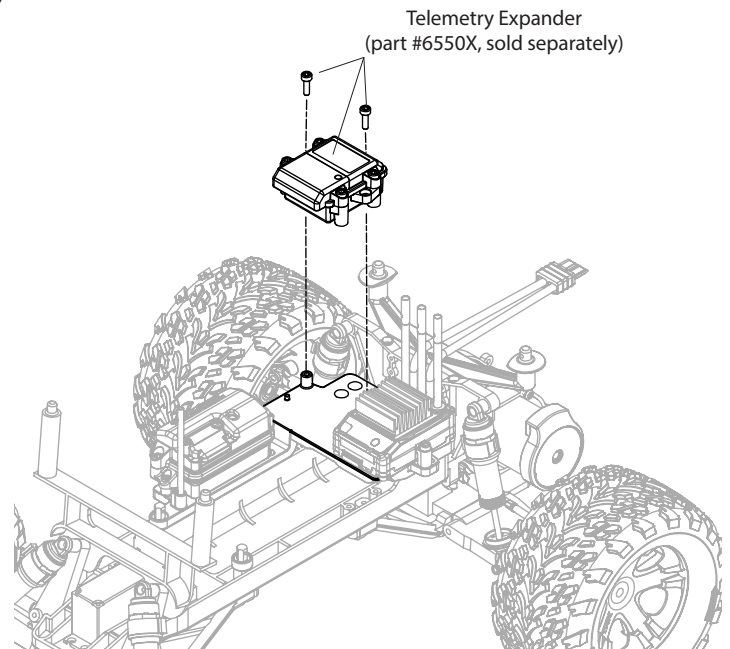
B Install the Expander mount.



C Reinstall the receiver box and ESC components. Install the 3x4 GS provided with the Expander mount kit to secure the antenna tube.



D



If you have questions or need technical assistance, call Traxxas at

1-888-TRAXXAS

(1-888-872-9927) (U.S. residents only)

TRAXXAS.COM