



# 4091 On-Board Temp Gauge

The Traxxas On-Board Temp Gauge features a loop probe end which can be used on any engine, a large LCD screen, power button, a min/max temp button, a Centigrade/Fahrenheit button, and a clear Lexan® splash guard.

## On-Board Temp Gauge Installation

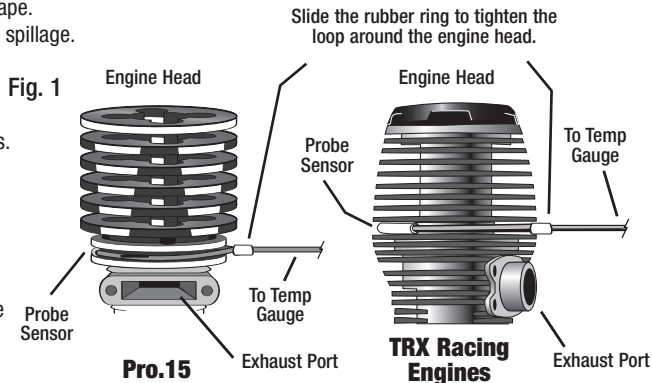
1. Slide the loop lead wire over the top of the engine head and position it in the bottom fin or around the engine case just below the engine head (Fig. 1).  
Try to keep the actual probe sensor, which is under the heat shrink, at a 90° angle to the exhaust port. The engine exhaust port runs hotter than that of the actual engine head temperature and will effect your readings. Slide the rubber ring to tighten the loop around the engine head.
2. Securely install the On-Board Temp Gauge onto your vehicle using velcro or double-sided tape.  
Choose a location where the gauge will be shielded as much as possible from dirt and fuel spillage.  
Route the wires neatly on the chassis to prevent damage from heat or moving parts.
3. Use the Power button to extend battery life.
4. Use the C°/F° button to switch from Centigrade or Fahrenheit temperature readings.
5. Use the Min/Max button to switch between minimum, maximum and current temp readings.
6. Use the clear Lexan splash guard to protect your On-Board Temp Gauge from liquids.

## Loop Lead Wire Replacement Instructions

1. Take the battery out of your On-Board Temp Gauge.
2. Remove the damaged loop lead wire from the gauge by cutting the wires about an inch from the plastic case.
3. Strip the wires and carefully solder the new loop lead wire onto the wires exiting the gauge (there is no polarity in the wires, so don't worry about positive and negative connection).
4. Carefully heat the included shrink wrap to protect the soldered wire connections, and then reinstall your gauge.

## New Battery Installation

Remove the 4 screws from the back of the case and replace the battery with #4096 battery. Align the "B" on the back of the case with the battery and reinstall the screws.



If you have questions or need technical assistance, call Traxxas at

**1-888-TRAXXAS**

(1-888-872-9927) (U.S. residents only)

## Parts List

- #4093 Clear Lexan Splash Guard...\$2.50
- #4096 Replacement Battery.....\$5.00
- #4095 Loop Lead Wire.....\$15.00

**WWW.TRAXXAS.COM**

Traxxas, 1100 Klein Road, Plano, TX 75074, Phone: 972-265-8000, Fax: 972-265-8011, e-mail: support@Traxxas.com

Form 4091INST Rev 060803